

# MiniGuard IID™

Multi-Number PC Programmable Telephone Entry System



## **INSTALLATION and PROGRAMMING INSTRUCTIONS 04A00103 SMT Board**



255 Glider Circle • Corona, CA 92880  
(951) 371-1730 • Facsimile (951) 371-2592  
[www.TrigonElectronics.com](http://www.TrigonElectronics.com)

May 19, 2008

---

---

## **TABLE OF CONTENTS**

---

<b>INTRODUCTION</b> .....	3
<b>PRODUCT OVERVIEW</b> .....	3
<b>MOUNTING</b> .....	4
<b>WIRING</b> .....	4
<b>WIRING DIAGRAM</b> .....	5
<b>PROGRAMMING</b>	
Enter Program Mode Locally .....	6
Enter program Mode Remotely .....	6
Initial Set-up .....	6
Enter Resident Code length .....	6
Enter Ring Count .....	6
Enter Gate Interval .....	6
Enter Call Length .....	6
Enter Dial Mode .....	6
Enter Latch Enable / Disable .....	6
Programming After Set-up .....	7
Programming /Adding Telephone Numbers .....	7
Deleting Telephone Numbers .....	7
Programming Entry Codes .....	7
Changing the Factory Program Code .....	7
Deleting Entry Codes .....	7
Entering Data Codes .....	8
Deleting Data Codes .....	8
Programming Site ID Code .....	8
Programming Tamper Code .....	8
Programming Time-of-Day Clock .....	8
Programming Output Relay #1 "On" time .....	9
Programming Output Relay #2 "On" time .....	9
Master Erase .....	9
Editing the Electronic Display .....	10
<b>OPERATION</b>	
Calling a Tenant .....	11
Direct Entry Codes .....	11
Letting a Visitor In .....	11
Denying Visitor Entry .....	11
Latching/Unlatching Relays .....	11
Site Identification .....	11
Remote Operation Time-out .....	12
Remote Function Tests .....	12
Printer Operation .....	12
<b>TROUBLE SHOOTING</b> .....	13
<b>CONDENSED GUIDE TO USE AND PROGRAMMING</b> .....	13/14
<b>SPECIFICATIONS</b> .....	15

## INTRODUCTION

This manual contains the information required to install and program the TRIGON Miniguard IID with the new surface mount technology circuit board. If you are using this manual to install this unit, it is very important to read all the sections in order.

If you are using this manual as a programming guide after the initial installation, you may find the TABLE OF CONTENTS useful in locating the particular programming procedure you need.

You should read these instructions before you begin installation. This will insure that everything is done efficiently.

## PRODUCT OVERVIEW

The Trigon Miniguard IID is a handsfree, multi-number Telephone Entry System for resident/visitor control. Visitors contact the desired tenant by entering a simple directory code gained from the built-in electronic directory. Following a two way voice communication, the resident then grants or denies access.

The Miniguard IID has a capacity of up to 1200 telephone numbers, up to 1200 personal entry codes, up to 4800 data codes and is PBX Analog Port compatible. It is constructed for rugged outdoor use. Its long-lasting brushed-finish stainless steel housing complements its thin design lines.

The Miniguard IID is available in surface mount, weather mount, and flush mount. The weather mount version is intended for use in open weather conditions and comes standard with an LED lighted front panel. The surface mount has a lower profile and is intended for more protected locations. The flush mount utilizes the wall mount front box and a flush mount back box with a .75 inch trim ring.

The Miniguard IID is equipped with valuable features and options that provide a wide range of guest and resident control options—doors, gates, security lighting, and more.

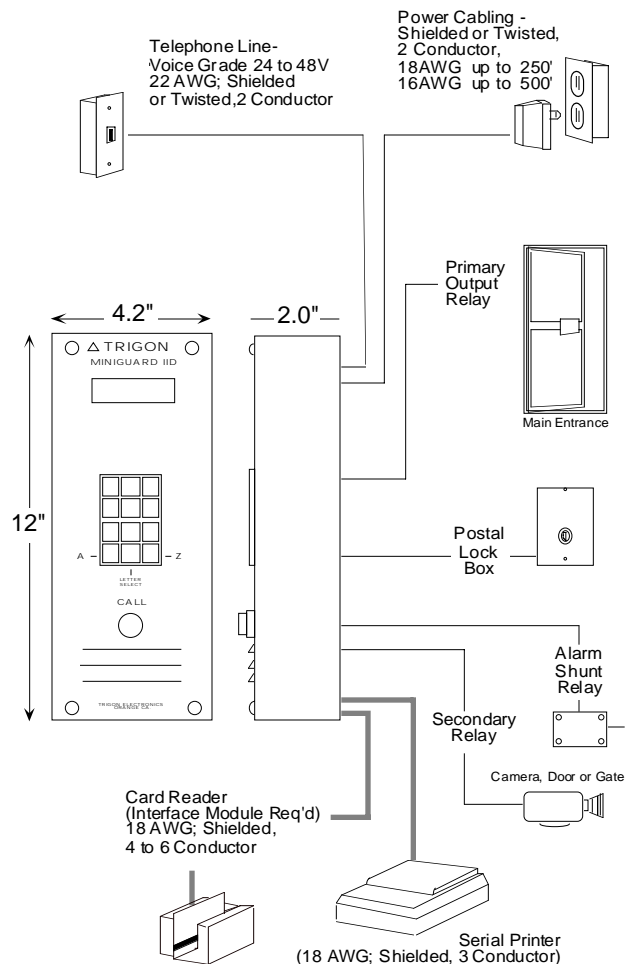
Two output relays are available to control a variety of security devices. Records of all access activity are stored in log memory, for downloading via direct connect or modem.

**Note:** Printer log output is disabled in order to support TriCom-Pro modem interface.

The Miniguard IID supports Trigon's TriCom-Pro protocol. TriCom-Pro is Trigon's universal database handler and communications package designed to run on most standard IBM compatible PCs using Windows 98 or greater.

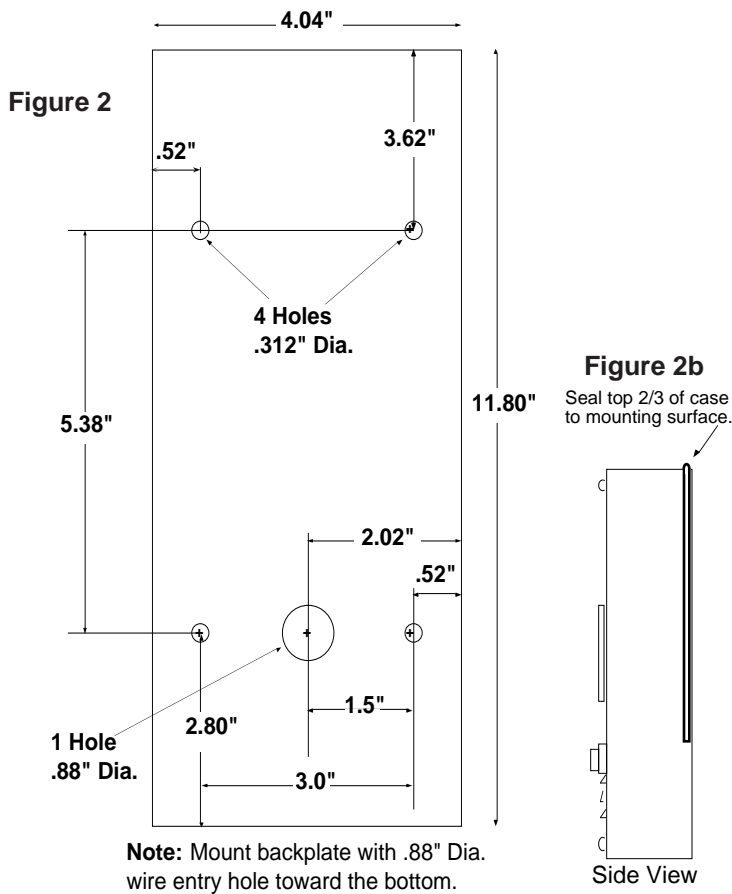
This software link is achieved via a 2400 baud, full duplex modem, or direct 3-wire RS-232 connection using a null modem cable.

The Miniguard IID's data base can also be edited via the display and keypad on the face of the unit.



**Figure 1**

# MOUNTING



Arrangements must be made for the installation of a standard voice-grade telephone line (touch-tone or rotary, telco or Analog Port), as close to the unit mounting location as possible. The telephone company may require the following information.

FCC Registration No.....1Z889B-62546-DT-I  
Ringer Equivalence.....0.8B  
Connector.....Terminal Block

When selecting a mounting location, Trigon recommends some shelter be provided from direct rain and sunlight unless the weather mount model is used. An overhang is usually sufficient. It is critical on units that support an LCD display, that they be mounted so that direct sunlight NOT be allowed to fall on the display itself. Like all LCD displays, heat absorption will temporarily blacken the crystals making the display unreadable. At about 0 degrees fahrenheit, the display will become sluggish. If a heater element is installed (02A92000), be sure to use a bi-metal thermal switch to prevent over-heating during the summer months.

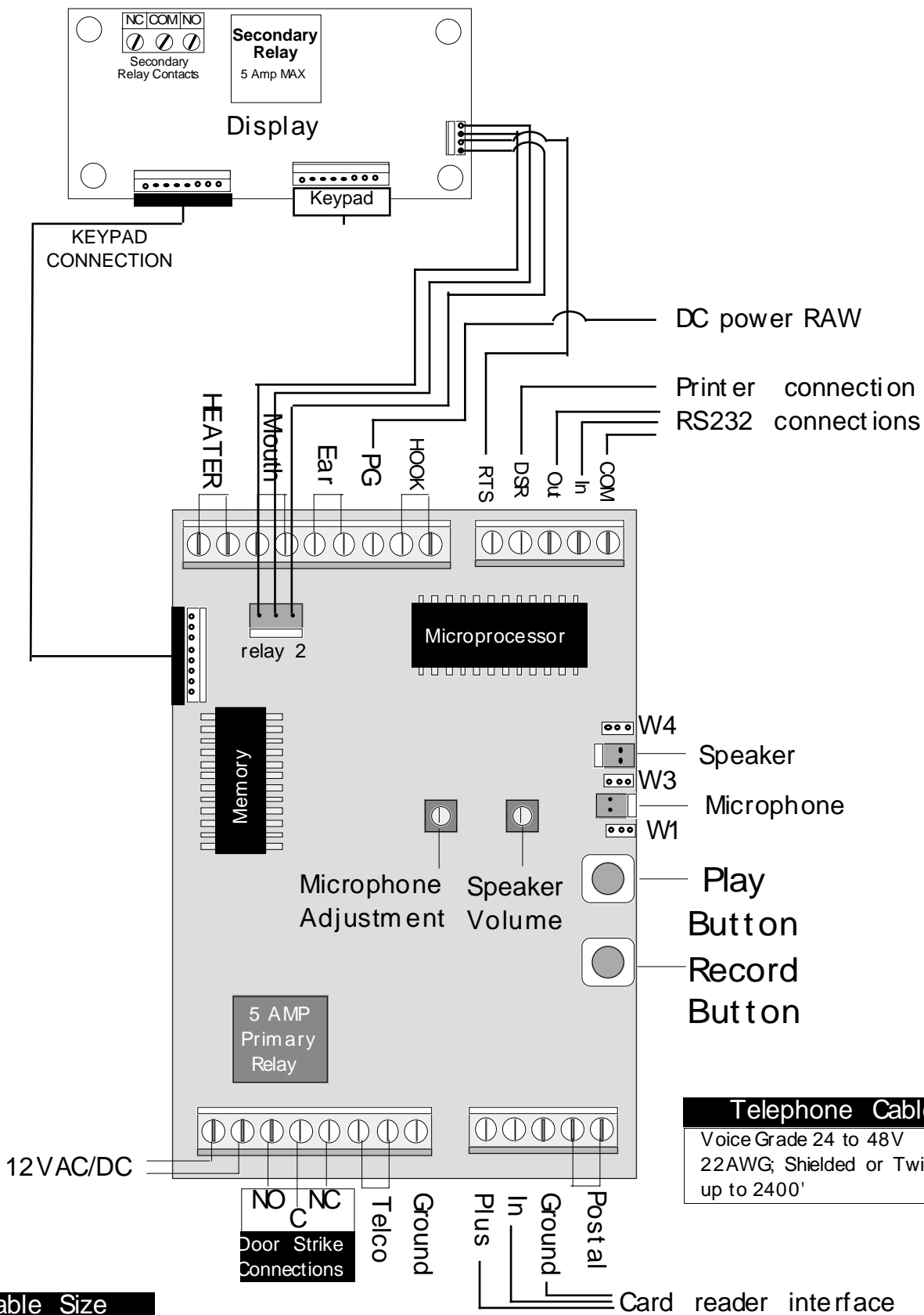
Pull the wiring through the access hole in the lower portion of the back plate (Fig. 2). Bolt the plate to the surface through the four .312" mounting holes provided. At this time, the wiring should NOT be energized. Bottom feed is also available on the surface mount and wall mount models.

\* We offer an optional Lighted Hood (08A30405) that helps with weather and sun protection for the surface mount model.

# WIRING

1. Use the wiring diagram on pg. 5 for wire connection information.
2. Do not energize wires until installation is completed.
3. Do not power any other device from the Trigon's 12 VAC 40VA transformer. If a substitute transformer is used, be sure it is rated 12 VAC, 20VA, UL Class 2 listed. The 12 VAC input power wires should be 18AWG, 600V, insulated wire. This should be sufficient for distances up to 200 feet.
4. Ground the unit by attaching a separate 12 AWG ground wire to the ground location on the terminal block. This ground wire should go to a grounding rod or grounded metal conduit.
5. Trigon recommends that an EMI filter (20F95000) be mounted between the 12 VAC transformer output and the unit. EMI/RFI filters are available from Trigon. Mount the filter as close to the unit as possible. Ground the filter to the same point as unit ground.
6. Shielded cable is recommended for both the power and telephone cabling. Ground the cables shield to the same point as the unit and filter. To avoid ground loops, do not ground the shield at both ends. Use 600V insulated wire for this installation.
7. Isolate the phoneline from 12 VAC power wires. This will prevent 60 Hz hum from occurring on the phoneline. Use 22 AWG wire on Telco line run distances of up to 2400 feet. Consult the factory for distances greater than 2400 feet.
8. Output Relays 1 and 2 are dry contact, Form C type, rated for 5 AMPS @ 30 VDC/ 250VAC.
9. "RS232 direct connect" cable from computer (Computer 9-pin RS232 pin 3 connects to terminal "IN", pin 2 connects to terminal "OUT", and pin 5 connects to terminal "COM". **Short pins 4, 6 and 8 inside 9-Pin D-sub.**
10. Connect printer wiring to the RS-232 port (Printer OUT to RS-232 IN, Printer BUSY to RS-232 DSR, Printer COM to RS-232 COM).
11. If all wiring and grounding is completed, mount the faceplate onto the backbox.
12. Apply power to the unit.

# WIRING DIAGRAM



**Telephone Cable**  
 Voice Grade 24 to 48V  
 22AWG; Shielded or Twisted  
 up to 2400'

Input	Cable Size
0-250'	18AWG; Shielded
250 to 500'	16AWG; Shielded
500+'	14AWG; Shielded

# SYSTEM SETUP

## General Programming Information:

The "Initial Setup" for the Miniguard IID has been programmed at the factory. These factory default settings may be changed to better suit your particular application. If you decide to alter these settings, follow the instructions below. It is important that each programming step be taken in order. When reprogramming a specific feature, you must always enter the programming mode first. You may then go to the appropriate procedural steps for the changes desired.

**Example:** Enter program mode: Press CALL button then \*5269 (beep, beep)

Enter the setup string #0333300 (beep, beep)

If desired exit program mode by entering #, #

This would set the following: Resident code length 3 (i.e. 000 to 999), auto answer ring count 3 (i.e. 3 rings), gate/door open interval 3 (i.e. 15 seconds), call length 3 (i.e. 3 minutes), dial mode 0 (i.e. touch tone), latch enable/disable 0 (i.e. disabled)

## (A) To Enter Program Mode Locally:

1. Press CALL button for dialtone.
2. Enter \* \* then enter the unit's Program Code.

If the unit is new, use the preset factory code. (Factory code is 5269). You will hear two beeps

-OR-

## (B) RS232 Direct Connect Cable From Computer

1. Follow wiring instructions page 4 item 9
2. Load TriCom Pro programming software into computer
3. Set connection type to "Direct" and baud rate to 1200
4. Follow TriCom manual instructions.

## (C) To Run Initial Setup:

1. Unit must be in programming mode (see (A)).
2. Enter "#, 0". This tells the unit that you want to run SETUP. No beeps will be heard A six (6) digit setup string to follow:

## (D) Enter Resident Code Length:

This will be the number visible on the directory used by a visitor to locate a resident.

**Note:** Resident codes may be from 1 to 4 digits in length. All resident codes must be of the same length.

3. Enter the resident code length. 1 for one digit, 2 for two digits etc. Factory default is [ 3 ]

## (E) Enter Ring Count:

"Ring Count" refers to the number of incoming rings the Miniguard IID will wait before it auto-answers. This count is adjustable from 1 to 9.

4. Enter the number that indicates the number of rings desired. Factory default is [ 3 ]

**Note:** Entering a ring count of '0' will cause the Miniguard IID's speaker to emit a "ringing" sound if the unit is called. A person may answer this call by pressing the red button.

## (F) Enter Gate Interval:

"Gate Interval" refers to the length of time the output relay (parking gate, front entry, etc.) will stay engaged after the command has been issued.

For example: Enter "1" for one 5-second interval. Enter "2" for two 5-second intervals (10 seconds). Enter "6" for six 5-second intervals (30 seconds) etc.

**Note:** Nine is the maximum..

5. Enter the number of 5-second intervals desired. Factory default is [ 3 ]

**Note:** A "0" here will allow the output relay to engage for a one second pulse

## (G) Enter Call Length:

"Call Length" refers to the maximum time (in minutes) that the unit will allow a conversation to last.

6. Enter the number (1 thru 4) that corresponds to the call length time (in minutes) that is desired. Factory default is [ 3 ]

**Note:** A "0" here allows indefinite call length, however the unit will auto disconnect after 30 seconds of voice silence.

## (H) Enter Dial Mode:

"Dial Mode" refers to the type of signal the unit uses to dial a telephone number. The Miniguard IID is capable of dialing touch-tone.

7. Enter "0" if touch-tone is desired.
8. Enter "2" for Touch-tone dialout and active DTMF keypad option.

Factory default is [ 0 ]

**Note:** Adding TWO to the Dial Mode selection allows the keypad of the Miniguard IID to remain active for use with voice-mail/automated attendant systems, after the initial call is placed and answered.

## (I) Enter Latch Enable/Disable feature:

"Latch Enable/Disable" refers to the ability of the Miniguard IID to latch (hold closed) the #1 or #2 output relay, from a remote location.

11. Enter 1 to enable the latch feature for relay #1.
12. Enter 2 to enable the latch feature for relay #2.
13. Enter 3 to enable the latch feature for both relay #1 and #2.
14. Enter 0 to disable this feature.

Factory default is [ 0 ]

You will hear two beeps.

If you wish to begin programming telephone numbers, go to the next section. - or

15. Enter "#, #" to exit Program Mode, otherwise, continue programming by entering the desired function code.

---

# PROGRAMMING

---

## **(A) Programming after Set-up:**

In order to program the unit, it must be in the Program Mode. If you came from SETUP and didn't exit or reset, go on to (B), "Adding Telephone Numbers". Otherwise:

1. Press CALL button for dial tone and enter " ]  
"
2. Enter the Program Code (5269 if unit is new). You will hear two beeps. The unit is now ready to program.

## **(B) Adding Telephone Numbers:**

1. Unit must be in Program Mode (see section A).
2. Enter Resident Code that you wish to file the telephone number under. (The number will be 2, 3, or 4 digits.)

You will hear one beep when you have entered the correct number of digits.

3. Enter the telephone number. (The telephone number can be up to twelve digits in length.)
4. Press "#" to complete the entry.

You will hear two beeps.

Repeat the above steps until you are finished.

To continue programming, enter the desired function code. - or -

5. Enter "#, #" to exit Program Mode, otherwise, continue programming by entering the desired function code.

## **(C) Deleting Telephone Numbers:**

1. Unit must be in Program Mode (see section A).
2. Enter the Resident Code you wish to delete. You will hear one beep.
3. Enter "#".

Two beeps indicate Erasure complete.

Repeat steps 2 and 3 until you are finished.

To continue programming, enter the desired function code. - or -

4. Enter "#, #" to exit Program Mode, otherwise, continue programming by entering the desired function code.

**Note:** If you wish to change a telephone number under an existing Resident Code, use the instructions for Adding Telephone Numbers and enter the new number in place of the old one.

## **(D) Programming Entry Codes:**

Entry Codes make it possible for the resident to enter a Code (P.I.N. number) at the unit and gain access without placing a call.

1. Unit must be in Program Mode (see section A).
2. Enter "#, 1".
3. *Enter the associated resident code (You will hear one beep).*
3. Enter any 4-digit number between 0000 and 8999.
4. Enter #

You will hear two beeps, indicating the number has been recorded in the Miniguard IID's memory. Repeat steps 2 and 3 until you are finished.

**Note:** Three beeps indicate the code already existed.

**Note:** Codes beginning with "9" will activate relay #2.

To continue programming, enter the desired function code. -or-

4. Enter "#, #" to exit Program Mode, otherwise, continue programming by entering the desired function code.

## **(E) Changing the Program Code:**

This feature allows you to change the Program Code to something other than the factory preset of 5269.

1. Unit must be in Program Mode (see section A).
  2. Enter "#, 7"
- You will hear two beeps.
3. Enter 4 digits for new Program Code.

-or-

4. Enter "#, #" to exit Program Mode, otherwise, continue programming by entering the desired function code.

**Note:** The 5269 Code (or any other previous code) is now invalid, so keep a good, safe record of your new Program Code for future use.

**Note:** If you lose the ability to access the Program Mode after performing this step, call TRIGON service. We have the ability to remotely reset the Program Code back to 5269.

## **(F) Deleting Entry Codes:**

1. Unit must be in Program Mode (see section A).
2. Enter "#, 2"
3. Enter the Entry Code that you want to delete.
4. Enter #

You will hear two beeps. Erasure complete.

Three beeps indicate no Code match found.

To continue programming, enter the desired function code. - or -

3. Enter "#, #" to exit Program Mode, otherwise, continue programming by entering the desired function code.

---

# PROGRAMMING

---

## **(G) Entering Data Codes (ie cards or RF transmitters):**

This function requires the installation of a card reader or RF receiver. Card/RF transmitter access makes it possible for the user to use an access device at the unit and gain entry. Each card/RF transmitter entered is converted to a standard 5 digit Data Code and goes into "Data Code memory".

1. Unit must be in Program Mode (see section A).
2. Enter "#, 1".
3. Enter the associated resident code (You will hear one beep).
- 4.a. Enter the 5-digit number on the back of the prox card or RF transmitter and press # (You will hear two beeps)

**-or-**

- 4.b. Read the device into the phone. (You will hear two beeps)

**Note:** If 3 beeps are heard, that card cannot be used because it already appears in memory.

You can continue entering additional device codes for this resident code up to a maximum of four.

For next resident, repeat steps 1 through 4.

5. Press "#" when card programming is complete, to return to main Program Mode. (You will hear two beeps)
6. Enter "#, #" to exit Program Mode, otherwise, continue programming by entering the desired function code.

## **(H) Deleting Data Codes (ie cards or RF transmitters):**

If the 5 digit value assigned to the card is known, it can be removed from memory with the same procedure as deleting Direct Entry Codes. Otherwise, from Program Mode:

1. Unit must be in program mode (see section A).
2. Press "#, 2"
- 3.a. Enter the 5-digit number on the back of the prox card or RF transmitter and press # (You will hear two beeps)

**-or-**

- 3.b. Read the device into the phone. (You will hear two beeps)

This indicates successful removal.

**Note:** Three beeps indicates that the card was not in memory, and the Batch Mode is aborted.

4. Press "#, 2" to re-enter Batch Mode.

- or -

If the card has been successfully removed

5. Enter "#, #" to exit Program Mode, otherwise, continue programming by entering the desired function code.

## **(I) Programming Site Identification Code:**

In the case of multi-unit installations, the Site Identification Code makes it possible for the party receiving a call from a Miniguard IID-PSL to identify which "gate" is calling.

1. Unit must be in Program Mode (see section A).
2. Enter "# 8" and the 4 digit number.

You will hear two beeps.

3. Enter "# #" to exit Program Mode, otherwise, continue programming by entering the desired function code.

## **(J) Programming Tamper Code:**

This feature can be used to alert a manager if the unit is being tampered with. (Four unsuccessful or invalid attempts to enter the programming mode constitutes a tamper.) The unit looks up the Resident Code stored in "tamper" and dials the phone number associated with that resident code.

1. Unit must be in Program Mode (see section A).
2. Enter "# 6" and the Resident Code that you have chosen.

You will hear two beeps.

3. Enter "# #" to exit Program Mode, otherwise, continue programming by entering the desired function code.

## **(K) Programming Time-of-Day Clock:**

The time of day clock allows automatic operation of the output relay.

1. Unit must be in Program Mode (see section A).
2. Enter "# 3".
3. Enter the Month. (01=Jan., 02=Feb.,... 12=Dec). Be sure to include the zeros when setting the clock.
4. Enter the Monthly Date. (01 thru 31).
5. Enter the last two digits of the Year (i.e., 1995 would be 95).
6. Enter the Hour. Use military time; 00 thru 23 hrs.
7. Enter the Minutes. (00 thru 59).
8. Enter the Day of Week. (1= Mon., 2=Tues, ... 7=Sun.).

You should hear two beeps.

**Note:** A military time format (24 hour clock) is used clock programming .

9. Enter "# #" to exit Program Mode, otherwise, continue programming by entering the desired function code.

---

# PROGRAMMING

---

## **(L) Programming Primary Relay 1 "ON" Time:**

This feature allows time clock control of output Relay 1. You may set the relay to activate at a certain time of day and deactivate at a later time of the same day. Also, you may set this daily on/off action to happen within a certain part of the week; i.e. Tuesday through Friday.

**Note:** A military time format (24 hour clock) is used in clock programming .

To program output Relay 1, do the following:

1. Unit must be in Program Mode (see section A).
2. Enter "# , 4"
3. Enter Start Time (Use military format of hours:minutes, i.e. "0600" , "1500"). Entry must be four digits.
4. Enter End Time (same four digit format as above).
5. Enter start day and End Day ("1 thru 7" means Monday through Sunday). For example, entering 24 would set the clock for Tuesday through Thursday.

You will hear two beeps.

**Note:** Day entries must be 2 digits (start and end day).

**Note:** To program the relay to operate only one day a week, enter the digit for that day twice ("6 6" means Saturday only).

6. Enter "# #" to exit Program Mode, otherwise, continue programming by entering the desired function code.

## **(M) Programming Secondary Relay 2 "ON" Time:**

This feature allows time clock control of output Relay 2. You may set the output relay to activate at a certain time of day and deactivate at a later time of the same day. Also, you may set this daily on/off action to happen within a certain part of the week; i.e. Tuesday through Friday.

**Note:** A military time format (24 hour clock) is used in clock programming .

To program Output Relay 2, do the following:

1. Unit must be in Program Mode (see section A).
2. Enter "# , 5"
3. Enter Start Time (Use military format; hours:minutes, i.e. "06:00" , "15:00"). Entry must be four digits.
4. Enter End Time (same four digit format as above). Enter Start Day and End Day ("1 thru 7" means Monday through Sunday). For example, entering 24 would set the clock for Tuesday through Thursday.

You will hear two beeps

**Note:** Day entries must be 2 digits (start and end day).

**Note:** To program the relay to operate only one day a week, enter the digit for that day twice ("6 6" means Saturday only).

5. Enter "# ,#" to exit Program Mode, otherwise, continue programming by entering the desired function code.

## **(N) Master Erase Procedure:**

This procedure allows selective or complete deletion of all data in the Miniguard IID's memory. Also, it is possible to reset the Miniguard IID back to its factory defaults (presets).

**Caution:** Use caution when performing these steps.

1. Unit must be in Program Mode (see section A),
2. Enter "# # \*".
3. Enter "0" if you wish to erase all data and reset unit back to factory defaults.
4. Enter "1" if you wish to erase all Entry Codes.
5. Enter "2" if you wish to erase all Resident Code/ telephone numbers.
6. Enter "3" if you wish to reset the unit back to factory defaults, leaving all other memory intact.

Upon completion of the full master erase sequence, you will hear a long series of beeps.

**Note:** Master Erase time will vary greatly depending on memory type, usage and capacity.

---

## PROGRAMMING

---

### (I) Setting Call Length:

This is the period of time allowed for conversation before time-out. The time desired is measured in seconds, and entered using a 3 digit number. (060= 1 minute, 180= 3 minutes, etc). Factory preset is 3 minutes.

1. Unit must be in Program Mode.
2. Press '8'.
3. Enter call length in seconds (001 to 999).

You will hear two 'beeps' indicating command accepted.

4. If desired, exit Program Mode by pressing '#' (wait for two second tone).
5. To terminate call, press '7'.

**Note:** During a call, an inserted double beep tone will announce that the call will be auto terminated in 10 seconds. Pressing an "8" will reset the timeout, if additional time is required.

### (J) Recording a new voice message.

To change the voice message on the voice chip follow these steps:

1. Referring to Page 5, move jumpers W1, W3, and W4 from the out board pair to the inboard pair.
2. To record a message press the "REC" button and speak into the microphone on the front of the HF-2. Message can be up to 15 seconds.
3. To play back the message press the play button and the message will play through the speaker. To re-record the message just push the REC button again.
4. If the play back is satisfactory, re position the W1, W3, and W4 jumpers to their out board positions.

If you have changed the message to a Voice Location Identifier the proceed with the "0n" command for message length and the "4n" command for message playback control.

### (K) Voice message length:

The voice message feature is set up from the factory as a "Please Enter" message when the visitor is granted entry by the called party. When the message has been changed to a "Voice Location Message" the approximate message length must be programmed as follows:

1. The unit must be in Program Mode.
2. Press '0'.
3. Press '1' through '9' for the number of seconds the auto message lasts.

You will hear two 'beeps' indicating command accepted

4. If desired, exit Program Mode by pressing '#' (wait for two second tone).
5. To terminate call, press '7'.

### Example "05"sets auto message to 5 seconds.

The next step is to go to the "4n" command to set the Auto Message Control.

### (L) Auto Message Control options:

1. The unit must be in Program Mode.
2. Press '4' then '0' to Disable voice module completely.  
**Or:** Press '4' then '1' Enable message feature, speaker on microphone on. **Or:** Press '4' then '2' Enable message feature speaker on microphone off.  
**Or:** Press '4' then '3' Enable message feature speaker off microphone on.  
**Or:** Press '4' then '4' Enable message feature speaker off microphone off.
4. If desired, exit Program Mode by pressing '#' (wait for two second tone).
5. To terminate call, press '7'.

## Keypad Editing of the Electronic Display

### (O) Editing the Miniguard IID from the units keypad.

For remote editing, see *Remote Editing of Display* on page 11.

All telephone numbers and entrance codes must be completed per programming instructions prior to editing of the display (see pg. 6).

1. Unit must be in Program Mode (see section A),
2. Press "# 92".

The Display is divided into two lines. The top line will have a series of periods for each letter position. The bottom line will show the first resident code in the unit's memory.

You may replace each period with a desired letter, space, or leave the period as in "SMITH J."

3. Enter each letter, space, or period with two (2) key strokes on the keypad.

- Example -

To Enter: S M I T H J.

The letter "S" on the telephone keypad is on the 7 key in the third position. To place the letter "S" in the electronic display enter "7 3".

An "S" will now appear and the cursor will move right to the next position.

- Enter "6-1" (key #6-FIRST position) for letter "M".
- Enter "4-3" (key #4-THIRD position) for letter "I".
- Enter "8-1" (key #8-FIRST position) for letter "T".
- Enter "4-2" (key #4-SECOND position) for letter "H".
- Enter "1-1" (key #1-FIRST position) for, "space"
- Enter "5-1" (key #5-FIRST position) for letter "J".

The symbol '.' is displayed, so use a single "0" to skip the '.' and move to the next character location.

Use '11', '11', '11', etc. to replace the remainder of the periods on that line with SPACES.

4. Press "#" to continue with the next listing.

Character Table

A	21	N	62	Space	11
B	22	O	63	&	98
C	23	P	71		
D	31	Q	12		
E	32	R	72		
F	33	S	73		
G	41	T	81		
H	42	U	82		
I	43	V	83		
J	51	W	91		
K	52	X	92		
L	53	Y	93		
M	61	Z	13		

- Example -

" Smith R." equals 73,61,43,81,42,11,72

### Notes:

When a SPACE is desired, press " 11".

When '&' is desired, press "98".

For Q enter '12'. For Z, enter '13'.

To TAB RIGHT or "skip" use key "0".

Key " \*" is for BACK-UP.

Key "#" is GO FORWARD to next complete listing.

Cursor is automatically put in the 1st position on moving to another listing.

To get the PERIOD in 'SMITH J.' tab right using '0' this will leave the existing period in place after the letter 'J'.

From the Miniguard IID unit's keypad, only "A" through " Z ", SPACE, '&', and pre-existing PERIODS are possible.

Use keypad sequence "11" to erase a position.

Use keypad sequence # \* to restore Cursor to the first position of any given listing.

To delete a listing, remove the Resident Code in normal Program Mode fashion.

5. Press the start button to exit the Edit Program .

**Note:** Alphabetizing is automatic, based on the first letter of each listing.

## OPERATION

### Direct Entry Codes:

1. Press the start button for dialtone.
2. Enter " # " and your four digit Entry Code (PIN Number).

### Calling a Tenant:

1. Press the red start button and use the keypad buttons to scroll the electronic directory.
2. Press the red button to acquire dialtone.
3. Enter the Resident Code located next to the tenant's name on the LCD directory.

You will hear tenant answer.

### Granting Visitor Entry:

Answer telephone and identify visitor. You may choose from the following options: (fig.4)

1. Enter "0" to activate Relay 1 and disconnect.
2. Enter "8" to activate Relay 2 and disconnect.
3. Enter "9" to activate Relay 2 and continue conversation.

**Note:** On rotary telephones "5" or higher can be used to activate Relay 1.

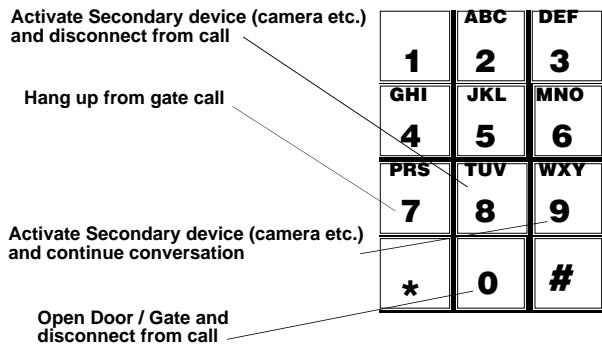
### Denying Visitor Entry (disconnect):

To deny entry

4. Enter "7" to force disconnect. Hang up telephone.

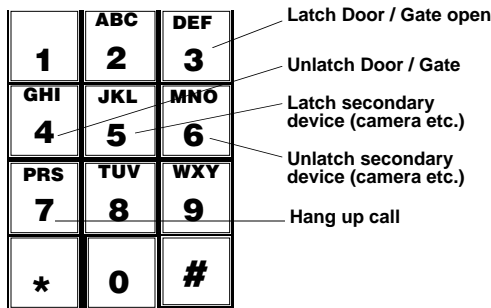
**Note:** It is important that the tenants recognize the responsibility to hang up the Trigon unit by pressing the appropriate key on their telephone's keypad. Otherwise, the visitor may walk away leaving the unit active. Shortly, the loud off-hook indicator tone from the telephone company will be heard for the remaining duration of the call length.

**Calls from the gate**



**Figure 4**

### Latching Keys



**Figure 5**

### Latching/Unlatching Relays:

This feature must be enabled in the initial SETUP of the units programming. Refer to the SETUP section in this manual. To latch (hold close) a relay, place a telephone call to the Miniguard IID. The Miniguard IID will auto-answer and you will hear a brief tone in the speaker. Refer to Fig. 5 for options:

1. Enter "3" to latch relay 1
2. Enter "4" to unlatch relay 1
3. Enter "5" to latch relay 2
4. Enter "6" to unlatch relay 2
5. Press "7" to hang unit up.

### Site Identification:

The Site I.D. number must be programmed into the unit before the feature can be used. See "Programming Site Identification Number"

1. Enter #.

This instructs the unit to transmit the four digits (tones) of its site I.D. code. The tones may be decoded by using a TRIGON DECODER.

---

## OPERATION

---

### Remote Operation Time-out:

If you call the unit to operate it remotely, you have 30 seconds until auto-termination. Any tone instruction will restart this 30 second timer. If you find that you need more than 30 seconds:

1. Enter "8" on your telephone's keypad to extend your call time to three minutes.

### Remote Function Tests:

The TRIGON Miniguard IID has the ability to run a series of self-tests to verify its functionality.

Call the unit. When it answers choose from the following.

1. Enter "0" for touch tone echo test.

Unit will "echo" any touch tone you send with your phone.

2. Press " # " to escape from this test.
3. Enter "1" for memory test. (One tone = good; two tones = bad).
4. Enter "2" for touch tone sequence. (Unit answers by transmitting touch tones 1 through 9, \*, and #).

### Printer Operation: (Optional)

The Miniguard IID can support an audit log output to a remote serial printer up to 300 feet away.

The printer must be a SERIAL type with a standard RS232 interface connector. The settings of the printer are:

300 Baud, 8 bits, No parity, 1 stop bit.

Serial linkage requires a minimum of three wires that carry "DATA, COMMON, and BUSY".

---

## TROUBLE SHOOTING GUIDE

---

### NO DIAL TONE

1. Check (check fuse) input power at unit. Should be 12 VAC.
2. Check that unit is properly grounded to a good Earth ground.
3. Current starved. Increase AC input wire size.
4. Remove power, wait 5 seconds, restore power. Check for dial tone.
5. Check for phone line. Voltages across terminals should be 48-52 VDC (on hook), 6-12 VDC(off hook).
6. Check VOLUME adjustment on PC board.
7. Check handset connections to PCB.
8. Verify that contacts and wires are clean and tight.

### CANNOT PROGRAM

1. Incorrect/lost program code.
2. Not entering "\*" before program code.
3. Try 'NO DIAL TONE' troubleshooting procedures.
4. Keypad damaged. Check for vandalism.
5. Check that the Program Prom/Microprocessor is fully seated.

### LOSES MEMORY

1. Electrical noise on power line. Install EMI/RFI filter.
2. Excessive electrical noise from strike. Use low current strike.
3. Unit transformer shared with another device (i.e. door strike).

### RESIDENT CANNOT ACTIVATE STRIKE/GATE

1. Tenant not pressing correct number on phone.
2. Strike/gate operator not wired correctly.
3. Missing or incorrect power to strike or gate operator.
4. Current starved. Increase wire size.
5. Tone may be too brief in duration (cordless phones, etc.).

### AC HUM IN SPEAKER

1. Phone wires running in same conduit as AC power.
2. Unit not properly grounded.
3. Defective microphone.

### RESIDENT CANNOT HEAR VISITOR

1. Defective handset/microphone.
2. Too much background or street noise. Relocate unit.

Feel free to contact our Tech Support Dept. (800) 842-7444 or (951) 371-1730

techsupport@trigonelectronics.com

www.TrigonElectronics.com

---

## CONDENSED GUIDE TO USE and PROGRAMMING

---

### General:

Data between [ ] is a mandatory program key stroke sequence. Data between { } is to be supplied by the programmer. Unit responses are shown between ( ).

### Legend:

d	Day of the week (1, 2,...7; Monday= 1)
DD	Date (01, 02,...31)
eeee	Entry Code (always use four digits)
hh	Hour (01, 02,...23)
iiii	Site ID Code (always use four digits)
mm	Minute (01, 02,...59)
MM	Month (01, 02,...12)
nnn nnnn	Resident Phone Number (up to 14 digits)
pppp	Program Code
rrrr	Resident Code (may be 1, 2, 3, or 4 digits)
YY	Year (01, 02,...99)
*	The "star" key of the telephone
#	The "pound sign" key of the telephone
☎	Tones returned by the <b>unprogramming at the Unit:</b>

### Programming at the Unit:

Enter the Program Mode: **Press CALL button then**

Press " \*, Program Access Code".

You will hear two beeps.

### Set Unit Parameters:

Press "#, 0" then;

- {3} Set Resident Code Length (1 - 4 digits)
- {3} Set Ring Count (1 - 9, 0= unlimited)
- {3} Set Gate Interval (1 - 9 five second intervals, 0=1 second pulse)
- {3} Set Call Length (1 - 4 minutes, 0= no time-out)
- {0} Set Dial Mode (1= Rotary, 0= Tone) (+{2}= active DTMF keypad after dial out)
- {0} Set Latch Enable Mode (0= none, 1= Relay (☎☎))

# CONDENSED GUIDE TO USE and PROGRAMMING

## Program Phone Number(s):

Press [{rrrr \* nnn nnnn #}]

## Add Entry Code:

Press [#1{eeee#}] (\* \* \* = memory full)

## Delete Entry Code: [                    ]

Press [#2{eeee#}] (\* \* \* = already in memory)

## Add Data Code:

Press [#1{eeee#}] (\* \* \* = memory full)

## Delete Data Code: [                    ]

Press [#2{eeee#}] (\* \* \* = already in memory)

## Set Clock ( Optional ):

Press [#3{MMDDYhhmmd}] (\* \* )

## Set Primary Relay on/off schedule:

Press [#4{hhmm hhmm d d}] (\* \*) –start and stop time, FROM day, and TO day.

## Set Secondary Relay on/off schedule ( Optional ):

Press [#5{hhmm hhmm d d}] (\* \*) –start and stop time, FROM day, and TO day.

## Set Tamper Code:

Press [#6{(rrrr \*)} (\* \* \* = error)

## Set Program Code:

Press [#7{pppp}](\* \*)

## Set Site ID Code:

Press [#8{iiii}](\* \*)

## Erase Mode:

Press [#\*{t}], –where 0= all data, 1= Entry Codes, 2= Phone Numbers, 3= Defaults)

## Exit Program Mode:

Press [# , #]

## Verify programming:

- [\*0] Verify Setup Parameters (sssss \*)
- [\*1] Verify unit capacity (cccc \*)
- [\*2{rrrr}] Verify phone number for Resident Code rrrr (\* \* \* = none listed)
- [\*3] Verify Clock (MM-DD-YY-hh-mm-d, \* \* \* = none installed)
- [\*4] Verify Relay 1 ON time (hhmm hhmm d d #, \* \* \* = not set)
- [\*5] Verify Secondary relay schedule

- [\*6] Verify Tamper Code (rrrr \*) (\* \* \* = not set)
- [\*7] Verify Program Access Code (pppp )
- [\*8] Verify Site ID Code (iiii \*, \* \* \* = not set)
- [\*9] List all entry Codes. Press {\*} to continue, {##} to stop.
- [\*\*] List all Phone Numbers. Press {\*} to continue, {##} to stop.
- [\*#] List Audit Data. Press {\*} to continue. Press {##} to stop.

## Remote Operation:

When the unit is called and auto-answers, press [X] to:

- [0] Echo Tone Test (Press {#} to stop.)
- [1] Memory Test (\* = good, \* = bad)
- [2] Send Tone Sequence (1 - 9, ], #)
- [3] Latch Primary Relay (\* \* = feature enabled.  
Latch Primary Relay (\* \* \* = error, **not** enabled)
- [4] Unlatch Primary Relay (\* \* = feature enabled.  
Unlatch Primary Relay (\* \* \* = error, **not** enabled)
- [5] Latch Secondary Relay
- [6] Unlatch Secondary relay
- [7] Force Unit to hang up.
- [8] Extend time-out to 3 minutes (30 sec. Default)
- [9] Toggle Sound (\* = on, \* = off)
- [\*{pppp}] Enter Program Mode (\* \* = accepted)
- [#] Send Site ID Code (iiii, \* \* \* = error, not set)

**Note:** Warning tone occurs 10 seconds before auto hang up.

---

## Specifications

**Design**- Hands free speaker telephone with internal auto dial capability and remote control of relays.

**Capacity** - 24, 50, 125, 200, 300 or 400 residents. Capacity includes 1 to 4 digit resident codes, 4 digit direct entry codes, 5 digit data codes, 16 character name, and up to 12 digit telephone number for each resident.

**Directory**- Built-in, two line, back lighted, LCD display.

**System Security**- Program access code and tamper code.

**Dial Mode** - Allows active keypad after dial out.

**Site ID** - Programmable 4 digit code.

**Call Length** - Unrestricted, or limited from 1 to 4 minutes.

**Programming** - Directly on keypad or remotely by DTMF tones.

**Power** - 120VAC/12VAC, 40VA, Class 2, transformer included.

**Output Ratings** -

Power Relays: 5 AMPS @ 30 VDC/250VAC;  
1/8 HP 120VAC

Alarm Shunt Relay: 250ma @ 12VAC

**Output Duration** - Programmable; momentary to 45 seconds, or latched.

**Manual Inputs** - Keypad direct entry, or postal lock box/push-to-exit button.

**Telephone Line** - Standard touch-tone or rotary. Dedicated or extension line.

**Mounting** - Surface, with flush or pedestal mount options.

**Construction** -

- Noncorroding #316 Stainless Steel weather resistant enclosure and backplate with 'tamper resistant' security screws.
- Double baffled, underwater rated, fiber material speaker.
- High quality carbon microphone in an acoustical chamber.

**Operating Temperature** - +5° F to +120° F

