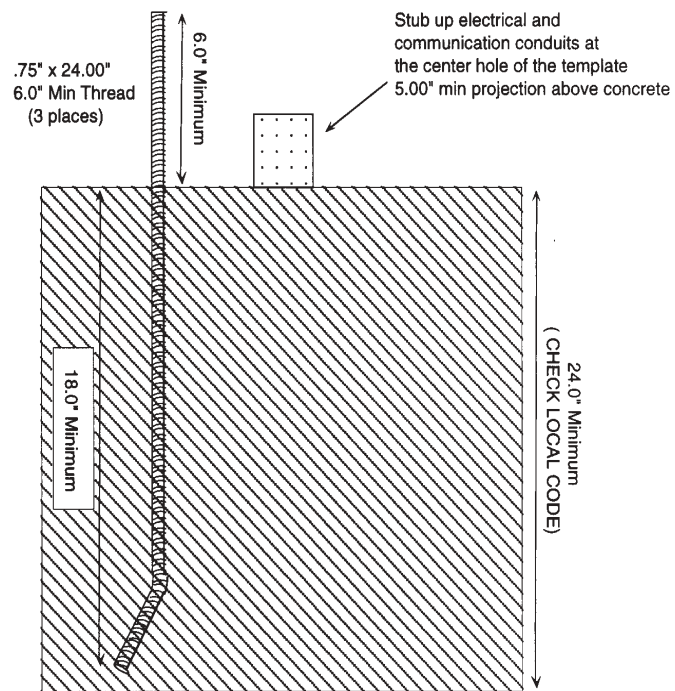
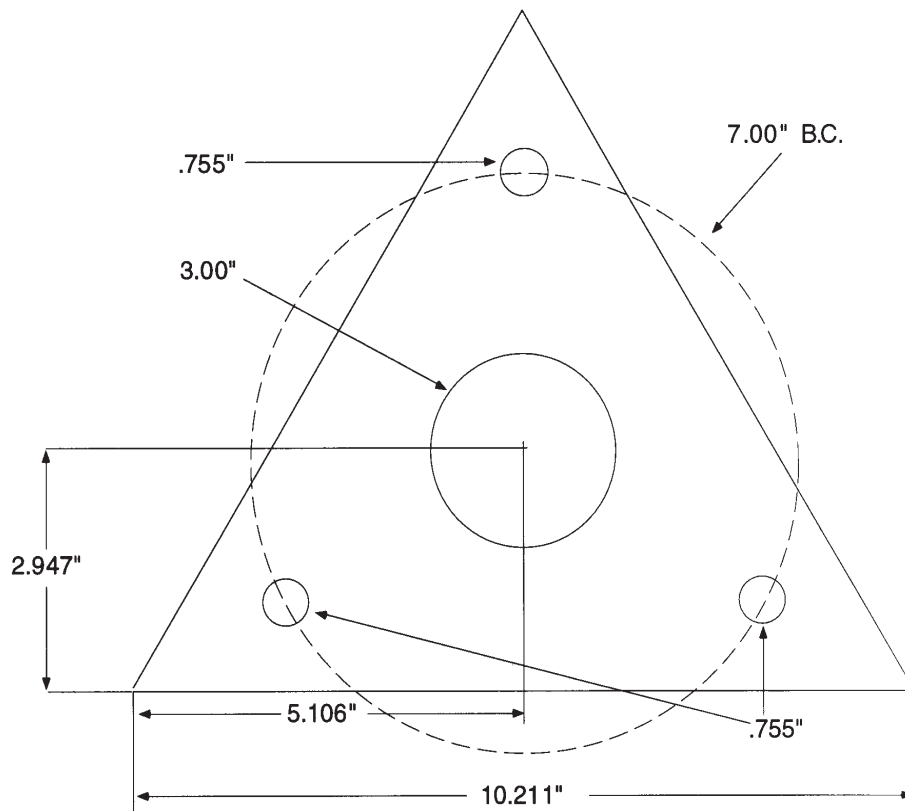


Check Local Code Requirements



**MAX Tower
Foundation**



MAX Tower Mounting Plate

WIRING DIAGRAM

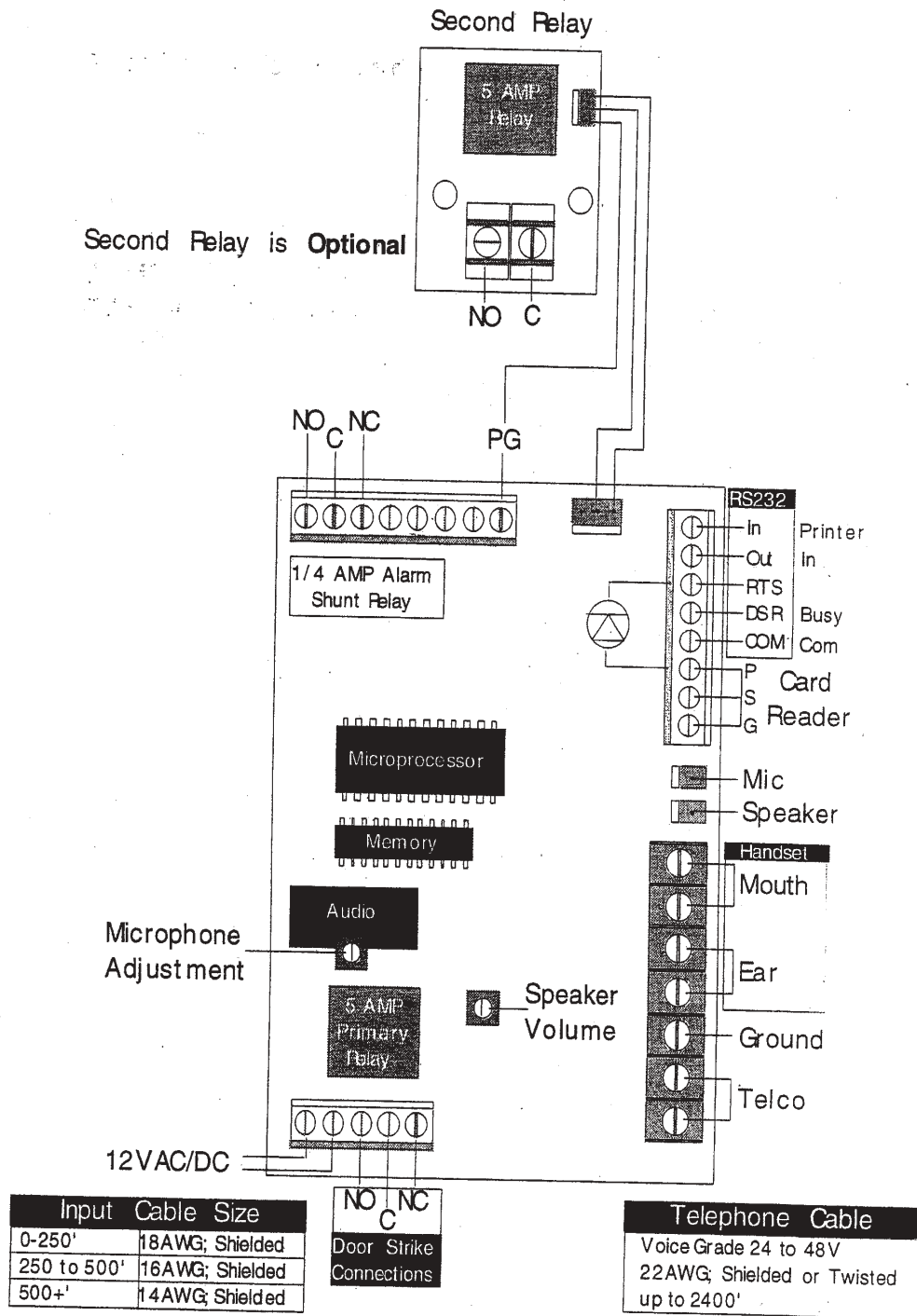


Figure 3